

*Go through
anywhere by one finger!*

*Professional
Fingerprint Access Control*

TAP-02

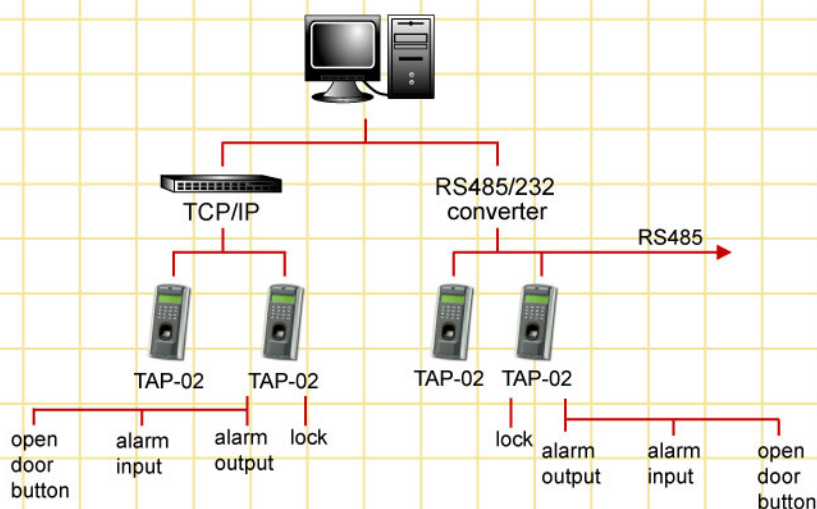


- State of the art electronic encryption control is adopted.
- Support Weigand 26 for HID standard.
- Support Anti-intimidate fingerprint access alarm.
- Support Multi-fingerprinted access.
- Anti-Broken and Door open alarm.
- International ISO 9001 : 2000 Quality Certificated.

Product Spec

User capacity	500 / 1500 / 2200
Transaction capacity	30000 / 50000 / 50000
Verification mode	One to one or One to many
Access Control	50 Time Zone , 5 Grouping , 10 Combination , Holiday Management , support many fingerprint access , intimidate fingerprint access grade security management, support standalone work.
Electrocontrol	Directness relay output 3A/12VDC or encrypt Electrol control output
Integration	Integrate Proximity Reader (ID) or Contactless Smart Card Reader (Mifare)
Communications	Weigand 26 , RS232 , RS485 , TCP/IP (options)
keyboard and Display	LCD with 80 character and figure keypad
Power	9-24 VDC , stay current: 0.50 mA , work current: 400 mA
Validating speed	<=0.7 s
FRR	<=0.01%
FAR	<=0.0001%
Baud rate	RS232 : 115200 RS485 : 115200 TCP/IP (RJ45 interface)
Management software	Transaction fingerprint management and Access control attendance options and network management.
Language	English or Traditional Chinese
Sensor	BIOBIO Sensor
Operating Temperature	0°C - 45°C
Operating Humidity	20%-80%
Authentication	CE , FCC , MA
Size	82 (L) x 35 (W) x 180 (H) mm

LAN & WAN Connections



Installation Diagram

