

EP.S3100 Door Control Panel

HIGH PERFORMANCE

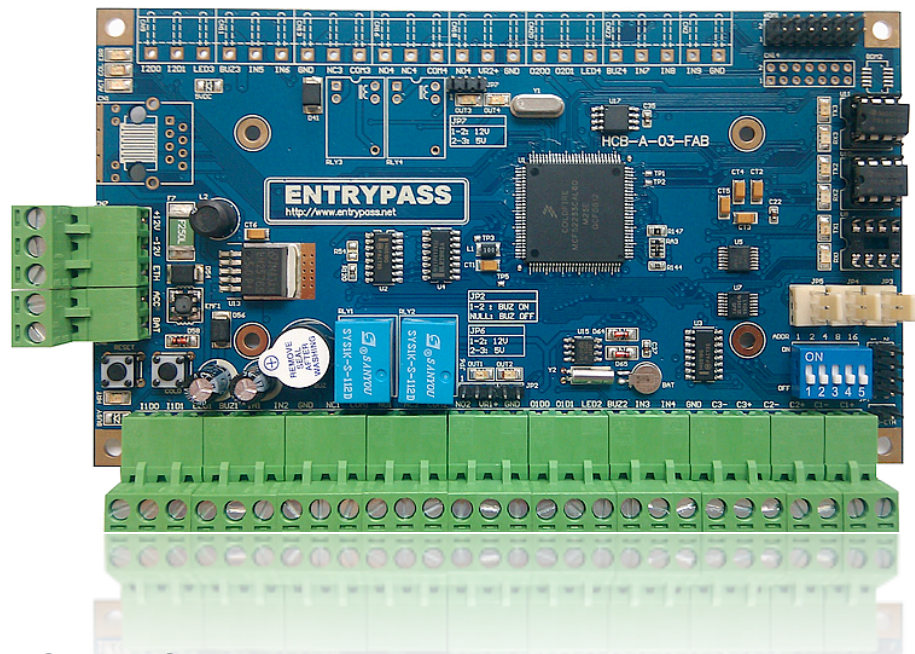
Based on the latest HCB (Hybrid Compact Board), S3100 is a high reliability, high efficiency and highly integrated intelligent multi-application control panel targeted for physical access control industry. It features a 32bits Freescale ColdFire microcontroller running at 60MHz, this control panel can fulfill most demanding requirement in physical access control environment.

MULTI-COMMUNICATION

3 onboard RS-232 / RS-485 user configurable serial communication ports for server communication and 3rd party integration purposes.

DOOR INTERLOCKING

2 In doors interlocking within the control panel, no external wiring is needed. Cross-board interlocking is achievable by acquiring the interlocking signal coming from second control panel before granting the accessibility to the local controller.



- Support Single / 2-In doors
- Support Car Park Mode
- Compatible with various reader technologies
- RS-485 / RS-232 communication ports
- Configurable Digital / Supervised inputs (4)
- Quick terminal plug-in connectors
- Firmware upgrade via server
- Reader Output Control
- AC Fail Monitoring
- Battery Monitoring

Ordering Information

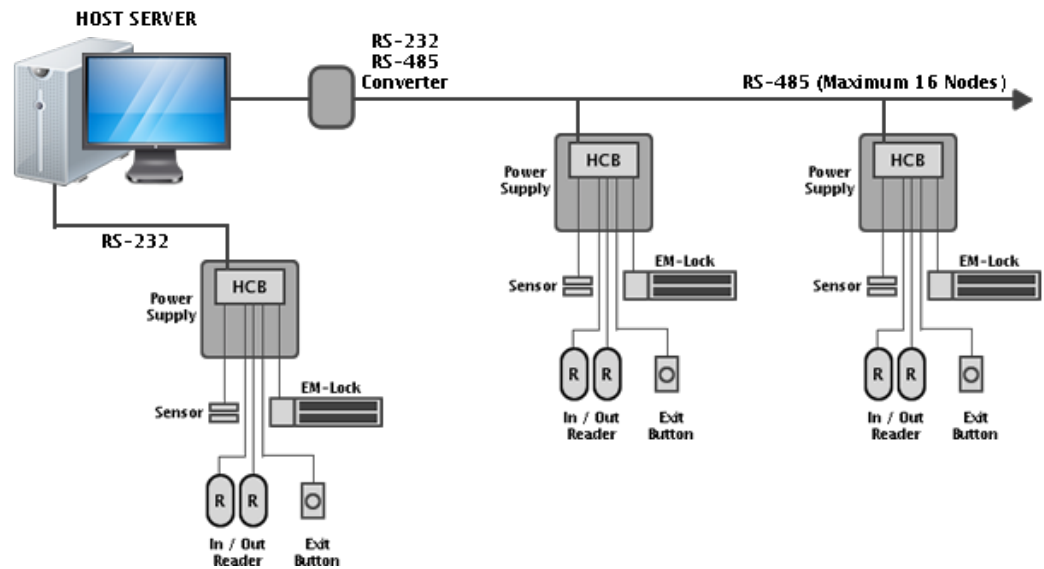
EP.S3100.PCB

Entrypass 2 Readers Serial Door Control Panel Only

EP.S3100.PSU

Entrypass 2 Readers Serial Door Control Panel with Power Supply Unit

Basic System Diagram



ACCESSORIES



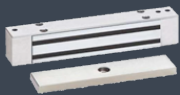
Biometrics Reader



RFID Reader



Magnetic Sensor



EM Lock

| Technical Specification | |
|-----------------------------------|---|
| MCU | 32bits @ 60MHz |
| Memory | <ul style="list-style-type: none"> • 256K Flash Memory • 32K SRAM (Buffer) • 32Mbits Non-Volatile SPI Flash Memory (Storage) |
| Card Holder | 3,000 |
| Event Transaction | 10,000 |
| Digital/Supervise Inputs | Max. 4, User configurable (Door Sensor/Request-To-Exit/Fire Input/General Purpose) |
| Digital Output | Max. 2 Dry contact Relay |
| Onboard Real Time Clock | Yes |
| Serial Communication Port | 3 - RS232/RS485 User Configurable |
| Power Protection | Resettable Fuse - 2.5A |
| Surge Protection | TVS - Up to 15KVA |
| Onboard LED Control | Power / Communication / LAN / Event / Error |
| Onboard Buzzer | 1 |
| AC Fail Monitoring | Yes |
| Battery Monitoring | Yes (Firmware threshold control to shutdown control panel) |
| External Short Circuit Protection | At readers |
| Backup Battery | Yes, Apply to RTC only |

ENTRYPASS CORPORATION SDN BHD

Tel : +60-3-8068 1929 40, Jalan TPP 1 / 10, Taman Industri Puchong,
 Fax: +60-3-8068 1929 Bt. 12, Jalan Puchong, 47100 Puchong,
 www.entrypass.net Selangor Darul Ehsan, Malaysia

Product specification and availability subject to change without notice. Certain product names mentioned herein may be trade names and/or registered trademarks of other companies.